



RAILWAY

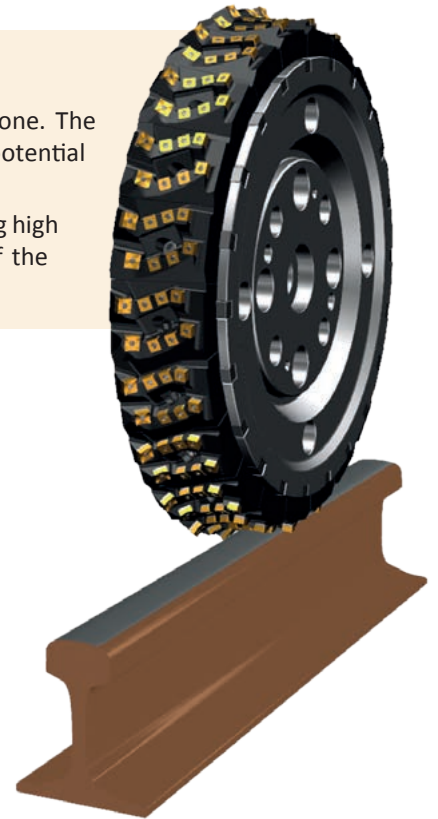


RAIL PROFILE RENOVATION

PRECISION AND SERVICE

There are several methods of railway re-profiling. The Dynamic milling of rails is one. The objective of the rail re-profiling is to enable modern high speed trains to use their potential on such lines with regard to reliability and safety.

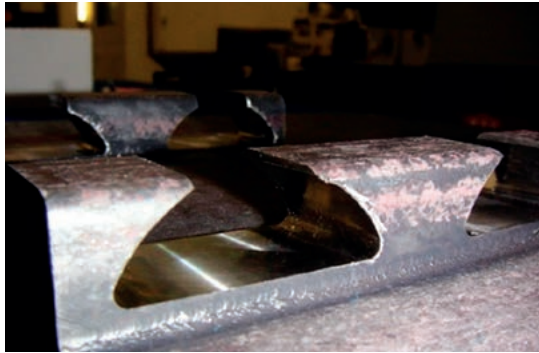
We supply customers with disk mills, cartridges and indexable cutting inserts, meeting high standards both in terms of the precision of the milled profile and the reliability of the milling process.



WE OFFER LEADING
TECHNICAL SOLUTIONS USING OUR
OWN DEVELOPMENT,
DESIGN AND PRODUCTION

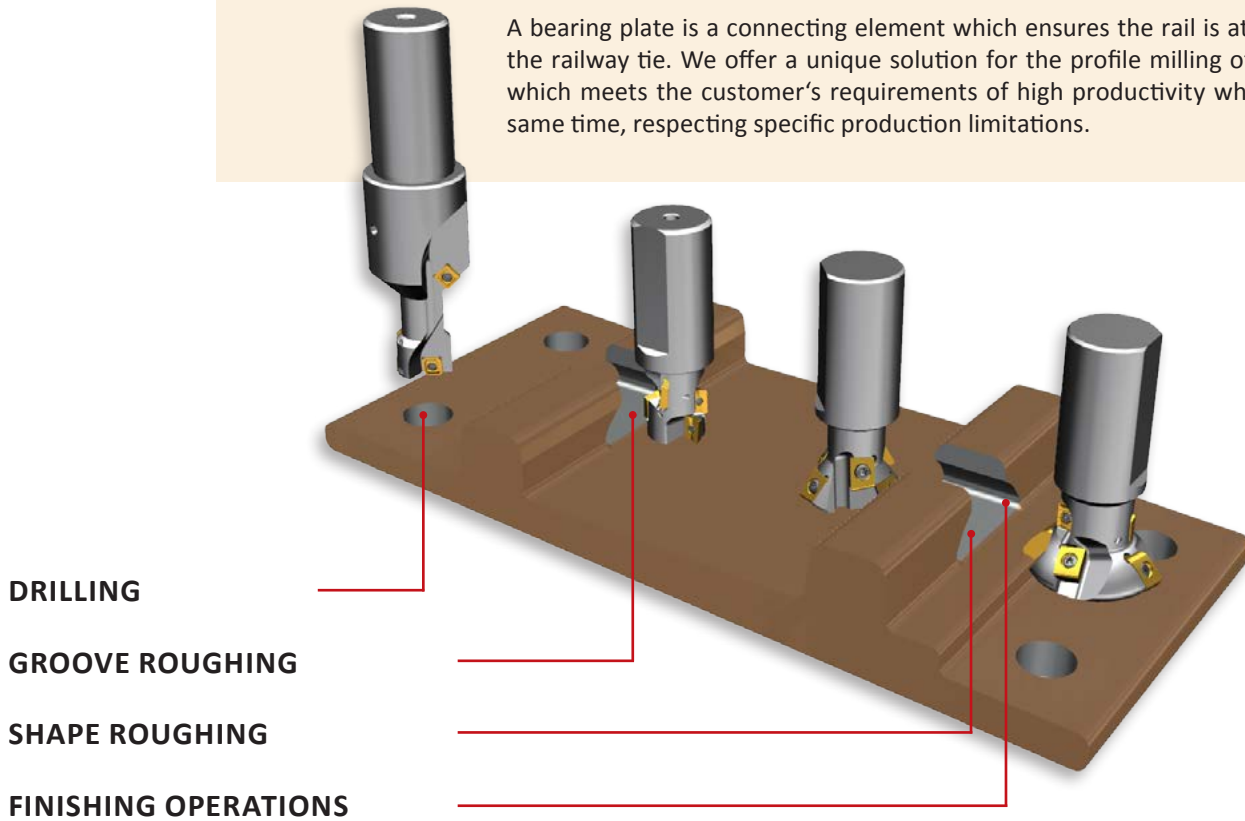


BEARING PLATES MACHINING

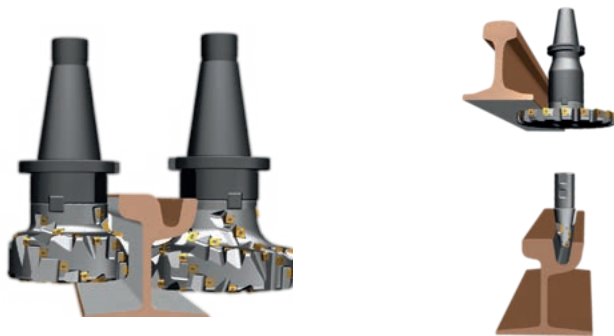


PRODUCTIVITY AND RELIABILITY

A bearing plate is a connecting element which ensures the rail is attached to the railway tie. We offer a unique solution for the profile milling of this part which meets the customer's requirements of high productivity while, at the same time, respecting specific production limitations.

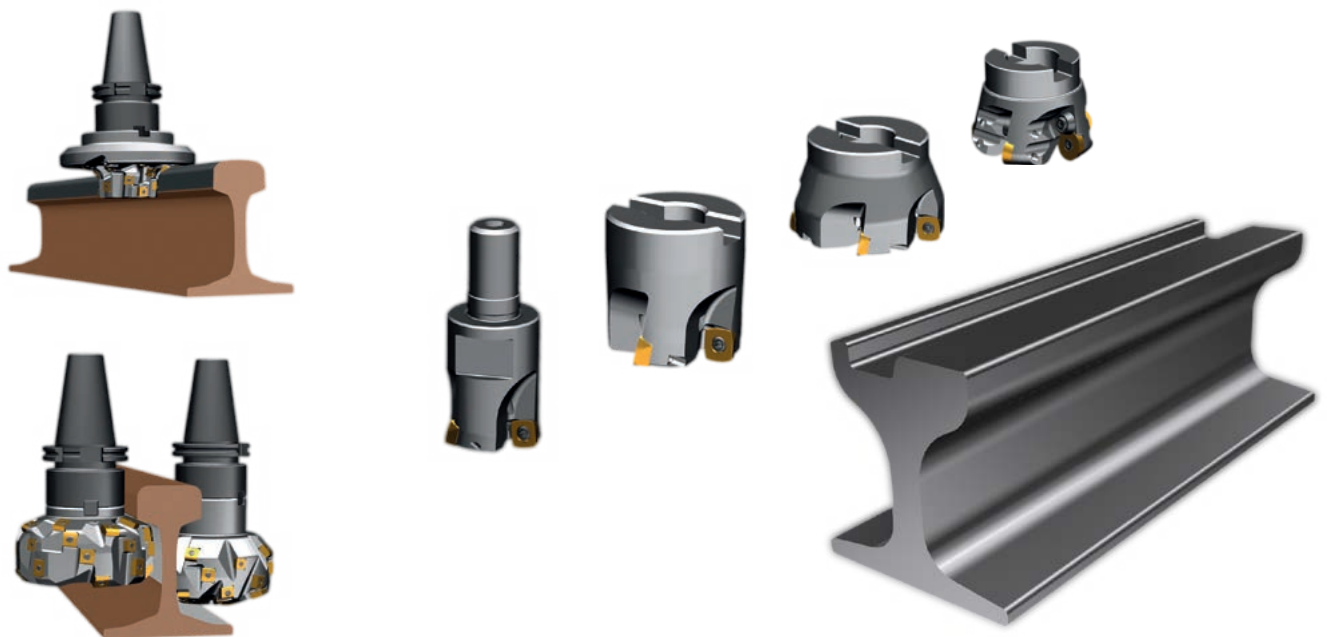


SWITCHES MILLING



WE WORK WITH MANY LEADING RAIL-SWITCH MANUFACTURERS

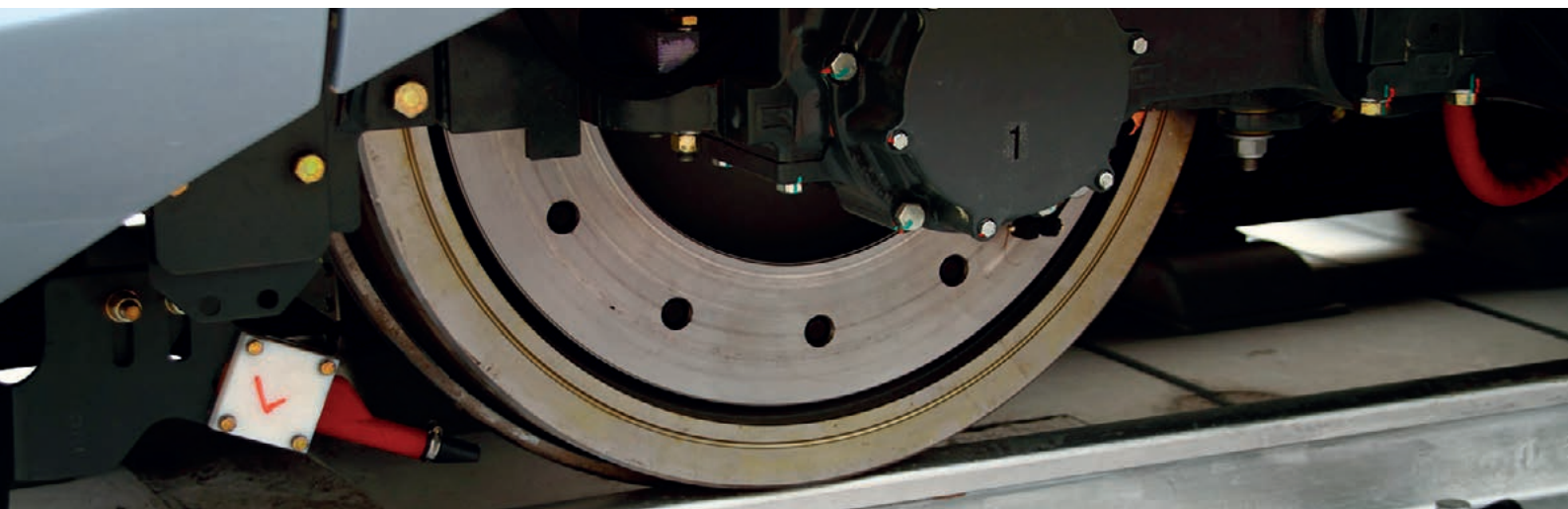
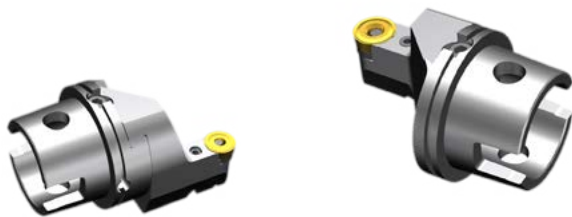
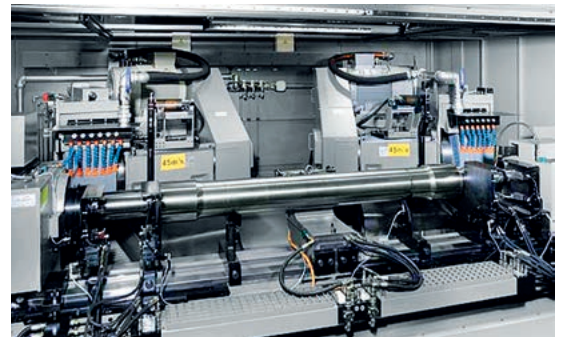
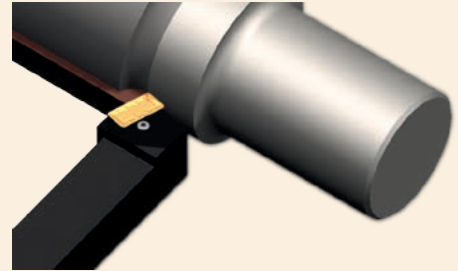
We offer customers both standard and custom tools for the production of new railway switches as well as the renovation of existing switches. Our assortment encompasses train and tram switches for all major rail profiles, including UIC60, 49E1, 50E3, RI60N and many more.



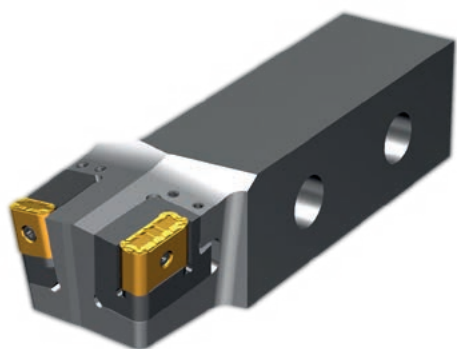
WHEEL SETS MACHINING

QUALITY AND CONSISTENCY IN HEAVY MACHINING

We are able to support customer requirements in the area of new wheel set machining, in particular roughing and finishing operations on new wheels as well as wheel set shafts. The majority of these parts are manufactured from forged pieces and a major focus is that our tools maximize process reliability and the quality of finishing operations.



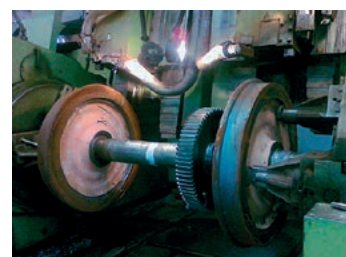
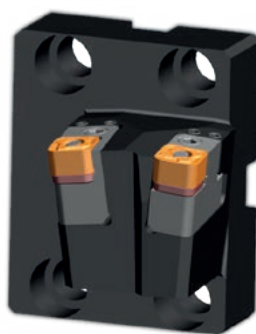
RAIL WHEELS RE-PROFILING



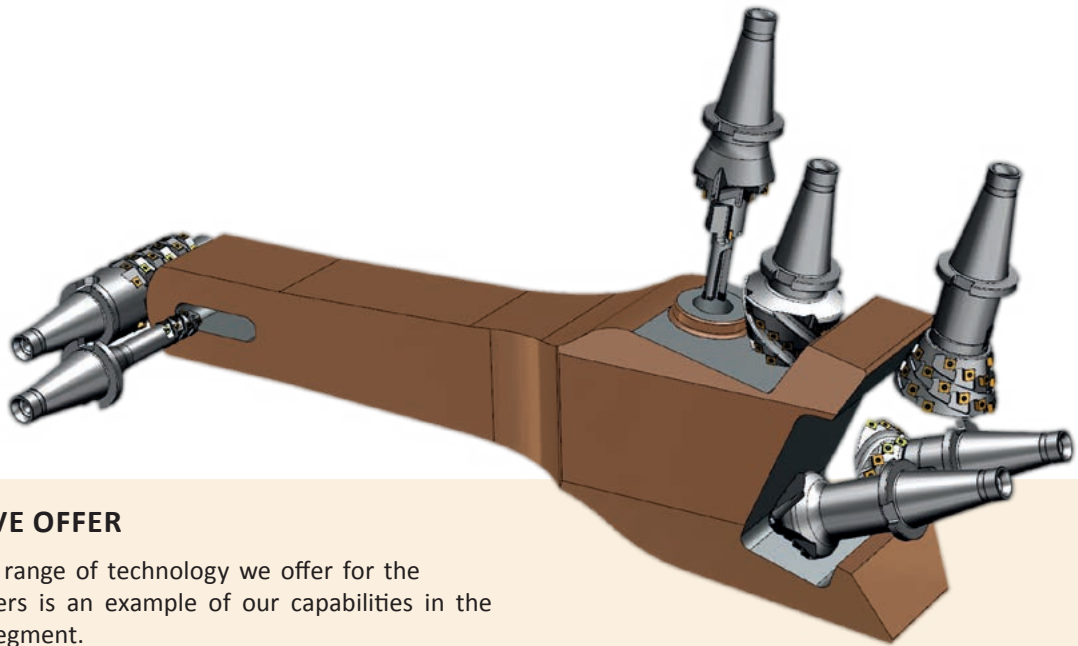
TOUGHNESS AND RELIABILITY

We meet the continuous need for rail wheel re-profiling through a wide assortment of solutions for different types of machining centers from various manufacturers.

Due to our historical cooperation with machine producers and rail repair services we are able to offer standard and custom solutions for increasing productivity and reducing costs associated with these processes.



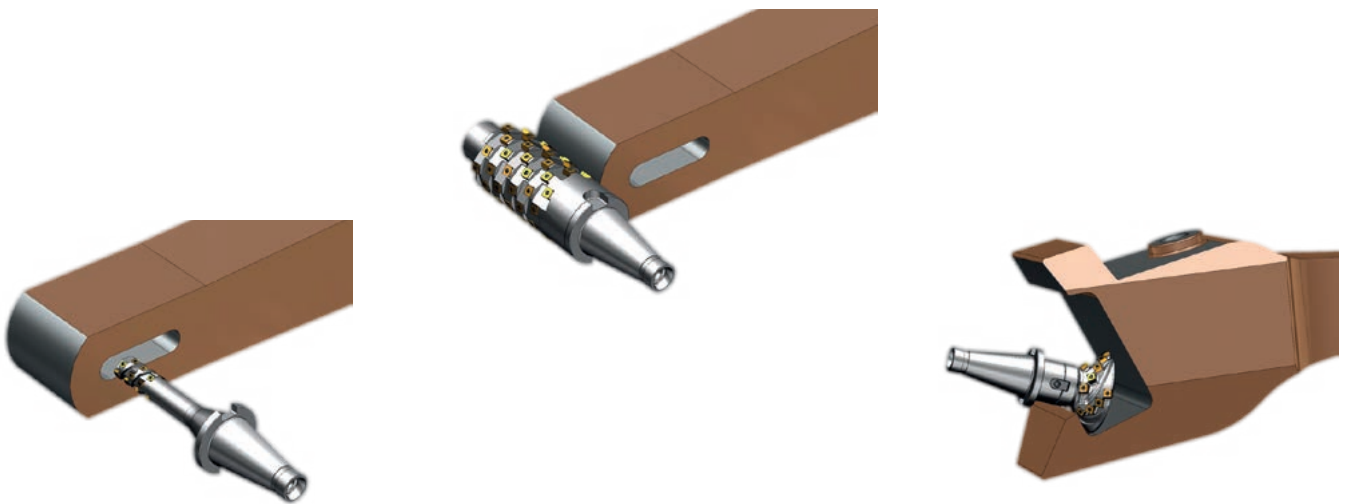
COUPLERS MILLING



COMPREHENSIVE OFFER

The comprehensive range of technology we offer for the machining of couplers is an example of our capabilities in the wagon production segment.

We have significant experience in various areas of wagon production including, axle boxes, center plates, bogie frames, fenders, etc. We systematically work in partnership with producers of these parts to further refine and develop our offer.



SIMPLY RELIABLE

As a professional you can judge the quality of work by just looking at the chip. Our chip is a clean and uncomplicated shape that in itself tells a story. It is a clear and consistent signal and that's why we use it as a symbol for being **simply reliable**.

Argentina

T: 54 (11) 6777-6777
F: 54 (11) 4441-4467
info.ar@dormerpramet.com

Australia

T: 1300 131 274
F: 1300 809 510
info.au@dormerpramet.com

Austria

T: +31 10 2080 240
F: +31 10 2080 282
info.at@dormerpramet.com

Belgium & Luxembourg

T: +32 3 440 59 01
F: +32 3 449 15 43
info.be@dormerpramet.com

Brazil

T: +55 11 5660 3000
F: +55 11 5667 5883
info.br@dormerpramet.com

Canada

T: (888) 336 7637
En Français: (888) 368 8457
F: (905) 542 7000
cs.canada@dormerpramet.com

China

T: +86 21 2416 0508
F: +86 21 5442 6315
info.cn@dormerpramet.com

Croatia

T: +385 98 407 489
info.hr@dormerpramet.com

Czech Republic

T: +420 583 381 111
F: +420 583 215 401
info.cz@dormerpramet.com

Denmark

T: 808 82106
F: +46 35 16 52 90
info.se@dormerpramet.com

Finland

T: 0205 44 7003
F: 0205 44 7004
info.fi@dormerpramet.com

France

T: +33 (0)2 47 62 57 01
F: +33 (0)2 47 62 52 00
info.fr@dormerpramet.com

Germany

T: +49 9131 933 08 70
F: +49 9131 933 08 742
info.de@dormerpramet.com

Hungary

T: +36-96 / 522-846
F: +36-96 / 522-847
info.hu@dormerpramet.com

India

T: +91 11 4601 5686
info.in@dormerpramet.com

Italy

T: +39 02 38 04 51
F: +39 02 38 04 52 43
info.it@dormerpramet.com

Kazakhstan

T: +7 771 305 11 45
info.kz@dormerpramet.com

Mexico

T: +52 (555) 7293981
F: +52 (555) 7293981
cs.mexico@dormerpramet.com

Netherlands

T: +31 10 2080 240
F: +31 10 2080 282
info.nl@dormerpramet.com

New Zealand

T: 0800 800 922
info.int@dormerpramet.com

Norway

T: 800 10 113
F: +46 35 16 52 90
info.se@dormerpramet.com

Poland

T: +48 32 78-15-890
F: +48 32 78-60-406
info.pl@dormerpramet.com

Portugal

T: +351 21 424 54 21
F: +351 21 424 54 25
info.pt@dormerpramet.com

Romania

T: +4(0)730 015 885
info.ro@dormerpramet.com

Russia

T: +7 495 775 10 28
F: +7 (499) 763 38 90
info.ru@dormerpramet.com

Slovakia

T: +421 (41) 764 54 60
F: +421 (41) 763 74 49
info.sk@dormerpramet.com

Slovenia

T: +385 98 407 489
info.si@dormerpramet.com

Spain

T: +34 935717722
F: +34 935717765
info.es@dormerpramet.com

Sweden

responsible for **Iceland**
T: +46 35 16 52 96
F: +46 35 16 52 90
info.se@dormerpramet.com

Switzerland

T: +31 10 2080 240
F: +31 10 2080 282
info.ch@dormerpramet.com

Turkey

T: +90 533 212 45 47
info.tr@dormerpramet.com

Ukraine

T: +38 056 376 51 19
F: +38 056 376 51 20
info.ua@dormerpramet.com

United Kingdom

responsible for **Ireland**
T: 0870 850 4466
F: 0870 850 8866
info.uk@dormerpramet.com

United States of America

T: (800) 877-3745
F: (847) 783-5760
cs@dormerpramet.com

Other countries

South America

T: +55 11 5660 3000
F: +55 11 5667 5883
info.br@dormerpramet.com

Central and Eastern Europe

T: +420 583 381 526
F: +420 583 381 401
info.rcee@dormerpramet.com

Rest of the World





Dormer Pramet International UK
T: +44 1246 571338
F: +44 1246 571339
info.int@dormerpramet.com

Dormer Pramet International CZ

T: +420 583 381 520
F: +420 583 215 401
info.int.cz@dormerpramet.com

DORMER PRAMET

www.dormerpramet.com

 [youtube.com/dormerpramet](https://www.youtube.com/dormerpramet)
 facebook.com/dormerprametsocial
 linkedin.com/company/dormer-pramet
 twitter.com/dormerpramet